

Yealink RoomPanel Plus Meeting Room Scheduling Touch Panel



Yealink RoomPanel Plus Meeting Room Scheduling Touch Panel User Manual

[Home](#) » [Yealink](#) » Yealink RoomPanel Plus Meeting Room Scheduling Touch Panel User Manual 

Contents

- [1 Yealink RoomPanel Plus Meeting Room Scheduling Touch Panel](#)
- [2 Product Information](#)
- [3 Product Usage Instructions](#)
- [4 FAQs](#)
- [5 Wall Mounting](#)
- [6 Package Contents](#)
- [7 Hardware Component Instructions](#)
- [8 Connection](#)
- [9 Regulatory Notices](#)
- [10 Warranty](#)
- [11 Troubleshooting](#)
- [12 Contact Information](#)
- [13 Technical Support](#)
- [14 FCC](#)
- [15 Documents / Resources](#)
 - [15.1 References](#)

Yealink

Yealink RoomPanel Plus Meeting Room Scheduling Touch Panel



Product Information

- **Specifications:**

- **Power Adapter:** 12V / 1.25A
- **Components:** Power port, Internet port, USB for debugging, Factory reset, Speaker, Microphone, Camera, RFID/NFC area, Light/human sensor
- **Mounting Options:** Wall Mounting, Glass Wall Mounting, Mullion Mounting

Product Usage Instructions

- **Wall Mounting:**

- Glue the locating sticker to determine the installation position.
- Install the bracket on the wall using the provided screws.
- Connect the Ethernet cable.
- Place the RoomPanel Plus onto the bracket and fasten it in place with screws.

- **Glass Wall Mounting:**

- Clean the glass surface before attaching the 3M tape.
- Securely press the 3M tape onto the glass surface.
- Wait for 1 hour after gluing the mounting bracket before installing the RoomPanel Plus.
- Glue the bracket to the glass surface.
- (Optional) Attach the glass sticker on the back of the glass for aesthetics.

- **Mullion Mounting:**

- Use the locating sticker to find the installation position.
- Install the metal bracket and attach it securely using screws.
- Connect the Ethernet cable.
- Place the RoomPanel Plus onto the bracket and fasten it in place with screws.

FAQs

- **Q: Can the RoomPanel Plus be mounted on any type of wall?**
 - **A:** The RoomPanel Plus can be mounted on various surfaces including regular walls, glass walls, and mullions with the appropriate mounting accessories provided in the package.
- **Q: What is the purpose of the glass sticker included in the package?**
 - **A:** The glass sticker is designed to enhance the aesthetics by providing a clean and finished look when mounting the RoomPanel Plus on a glass surface.

Wall Mounting

Wall Mounting - 墙面安装

Wandmontage - Support mural -
Instalable en la pared

→ P5



Video



Glass Wall Mounting - 玻璃墙面安装

Glaswandmontage - Montage sur paroi
de verre - Montaje en pared de cristal

→ P11



Video



Mullion Mounting - 竖框安装

Pfostenmontage - Montage des
meneaux - Montaje de parteluz

→ P17



Video



Package Contents

1



RoomPanel Plus

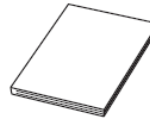


(12V / 1.25A)

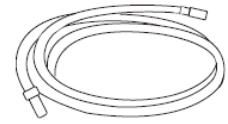
Power Adapter
电源延长线
Netzgerät
Adaptateur d'alimentation
Adaptador eléctrico



Screwdriver
螺丝刀
Schraubendreher
Tournevis
Destornillador



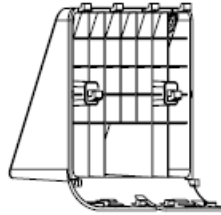
Quick Start Guide
快速入门指南
Kurzanleitung
Guide de démarrage rapide
Guía de inicio rápido



Optional

Power Extension Cable
电源延长线
Verlängerungskabel Netzanschluss
Câble d'extension d'alimentation
Cable de extensión de corriente

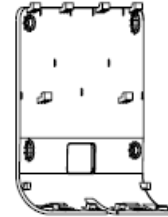
2



20° Bracket - 20°

20° Halterung

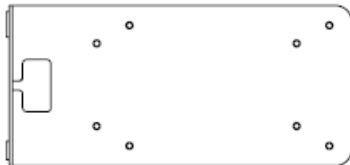
The device is at an angle of 20° to the wall after the installation.



0° Bracket - 0°

0° Halterung

The device is at an angle of 0° to the wall after the installation.



Metal Bracket

Metallhalterung

Mullions for mounting on glass sides.



3M Tape - 3M

3M Klebeband

For gluing the device to the glass wall.



Glass Sticker

Glasaufkleber

Attached to glass back for aesthetics.



Locating stickers

Positionierungsaufkleber

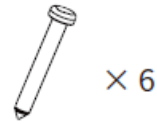
Determine the installation position to keep it level.

3



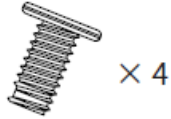
Φ6 * 30 mm

For installation on concrete walls.



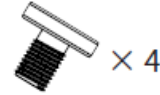
T4 * 30 mm

For installation on concrete walls.



M2 * 4 mm

The lock is fixed at the bottom of the device.



M4 * 6 mm

Fix the metal bracket and the wall bracket.

Hardware Component Instructions

Power port

电源接口

Stromanschluss

Port d'alimentation

Puerto de alimentación

Internet port

网络接口

Internet-Port

Port Internet

Puerto de internet

USB for debug

用于调试

USB für die Fehlersuche

USB pour le débogage

USB para depuración

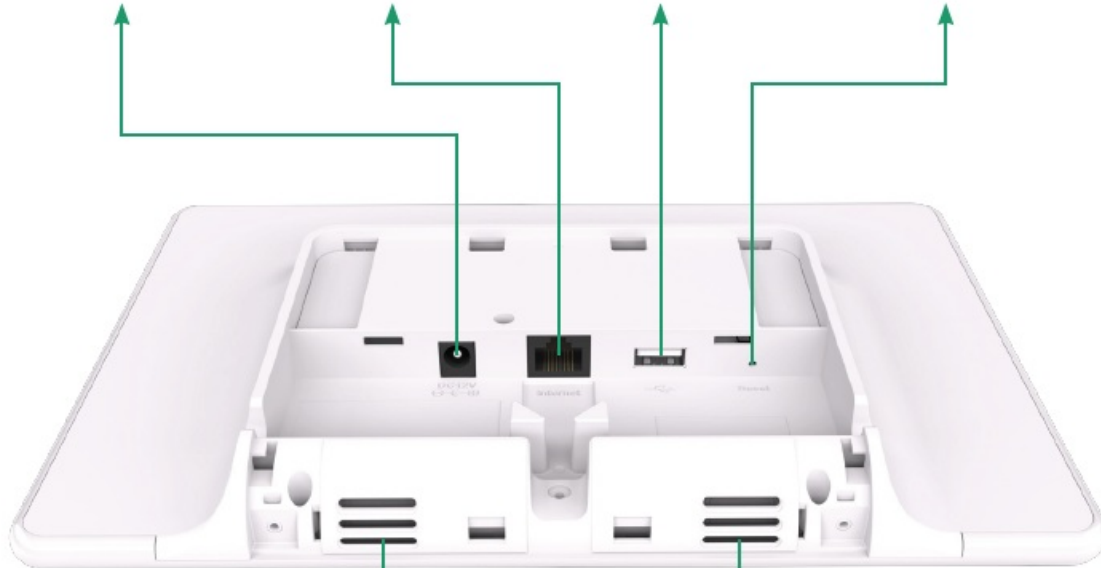
Factory reset

恢复出厂

Zurücksetzen auf Werkseinstellungen

Réinitialisation aux paramètres d'usine

Restablecimiento de datos de fábrica



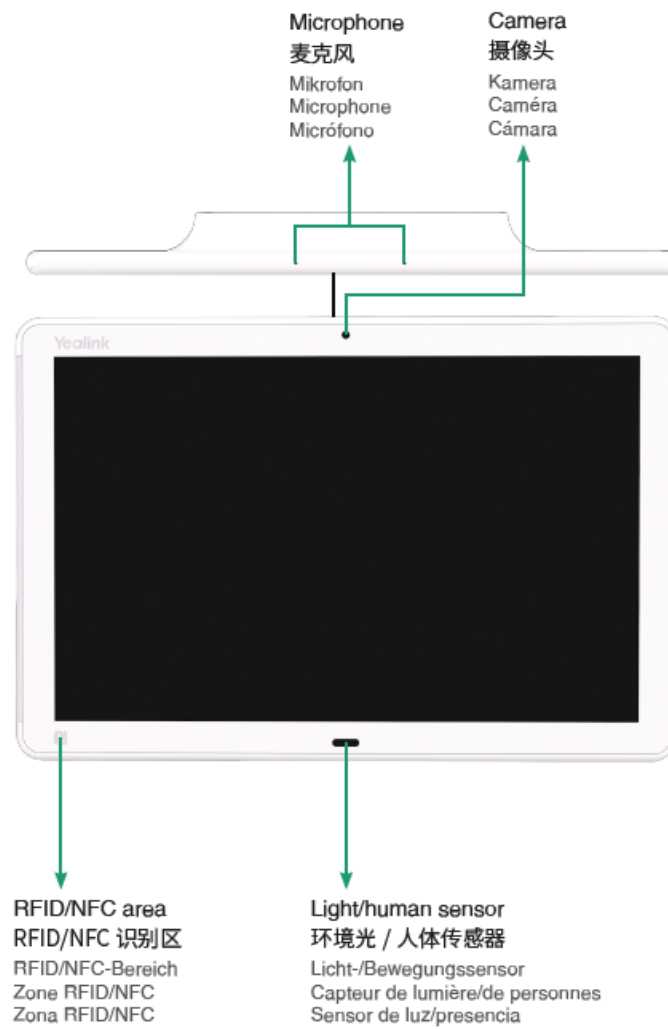
Speaker

扬声器

Lautsprecher

Haut-parleur

Altavoz

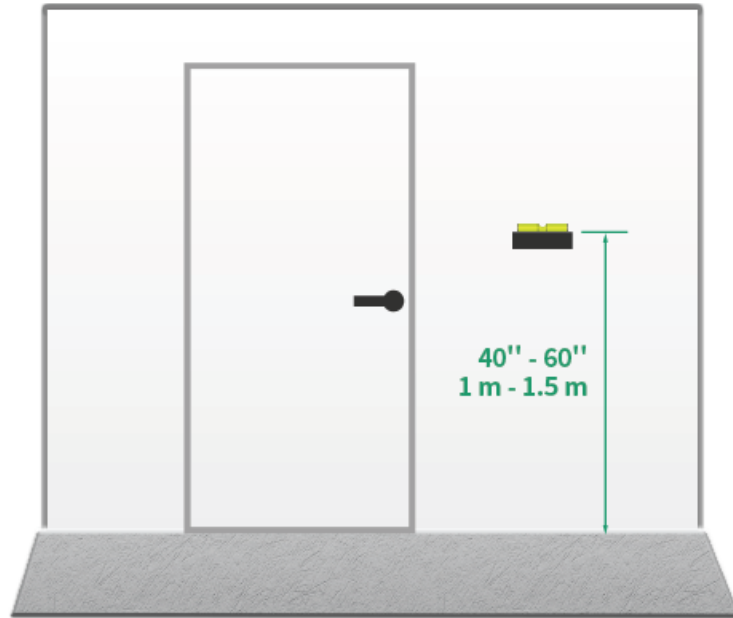


Wall Mounting

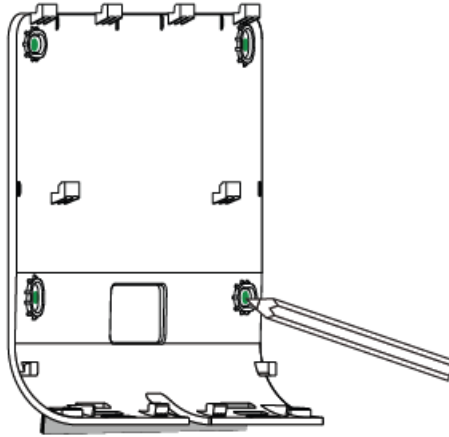
1. Glue the locating sticker to locate the installation position

- Take 0° bracket as an example for reference.

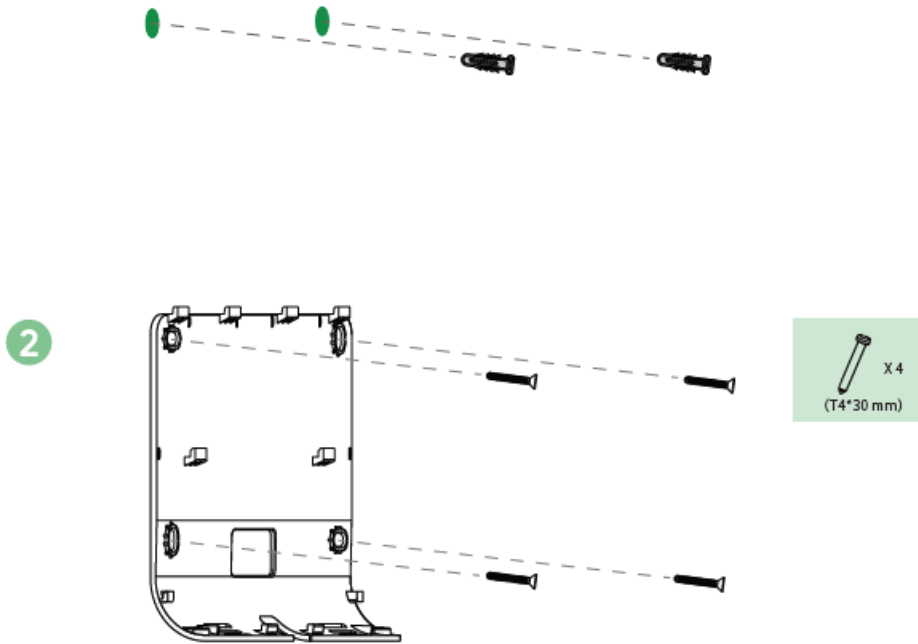
1



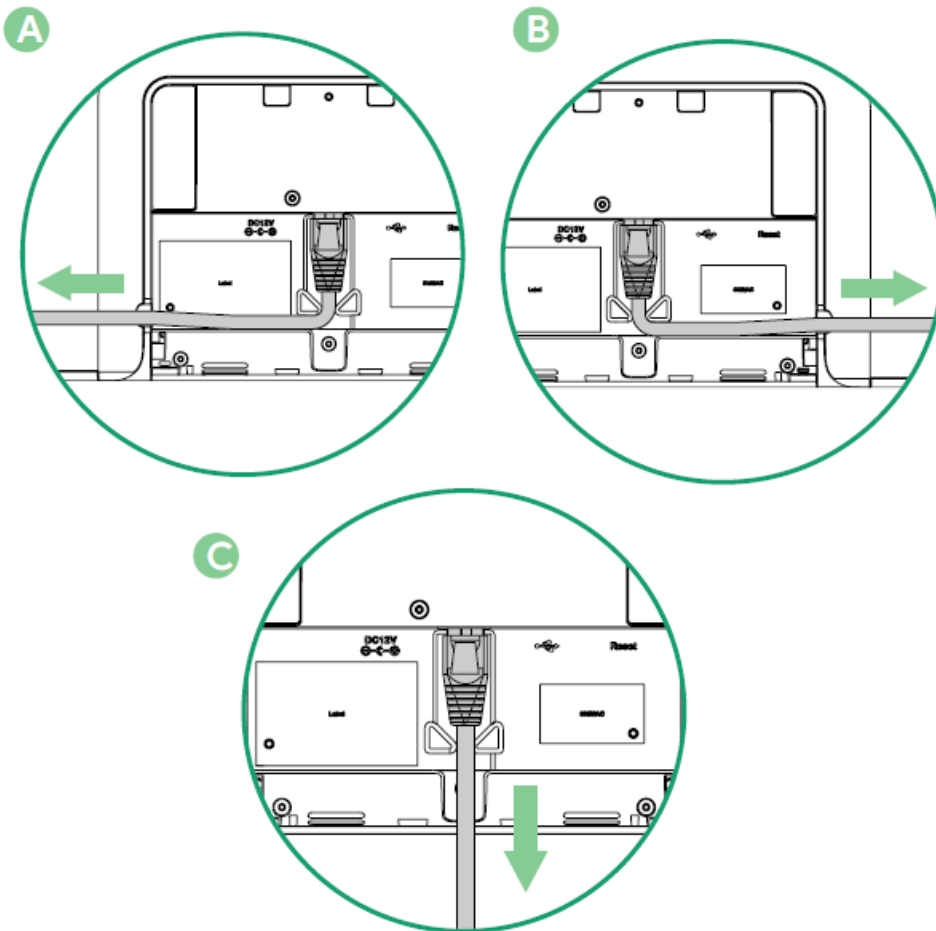
2

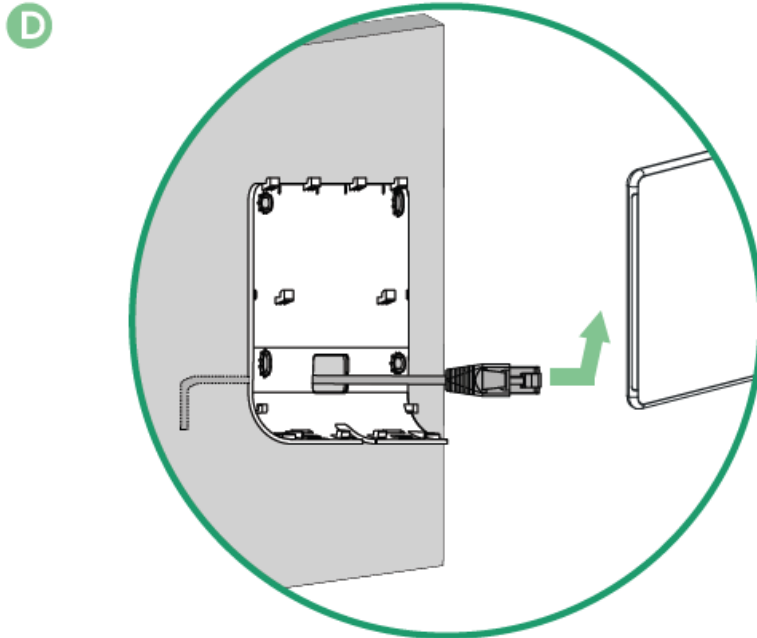


2. Install the bracket on the wall



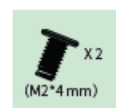
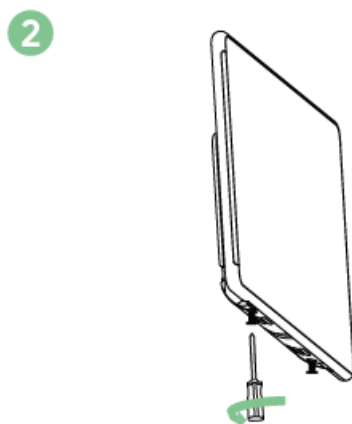
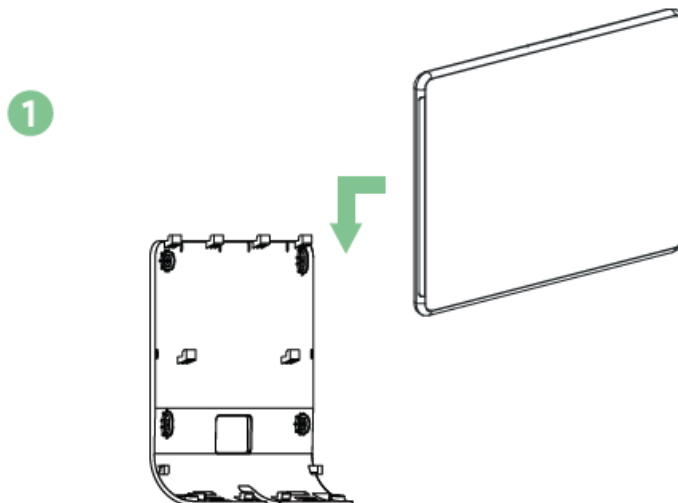
3. Connect the ethernet cable





- Method D requires connecting the cable first and then installing the bracket.

4. **Place the RoomPanel Plus onto the bracket. When you hear a click, tighten the screw to fasten the device in place**



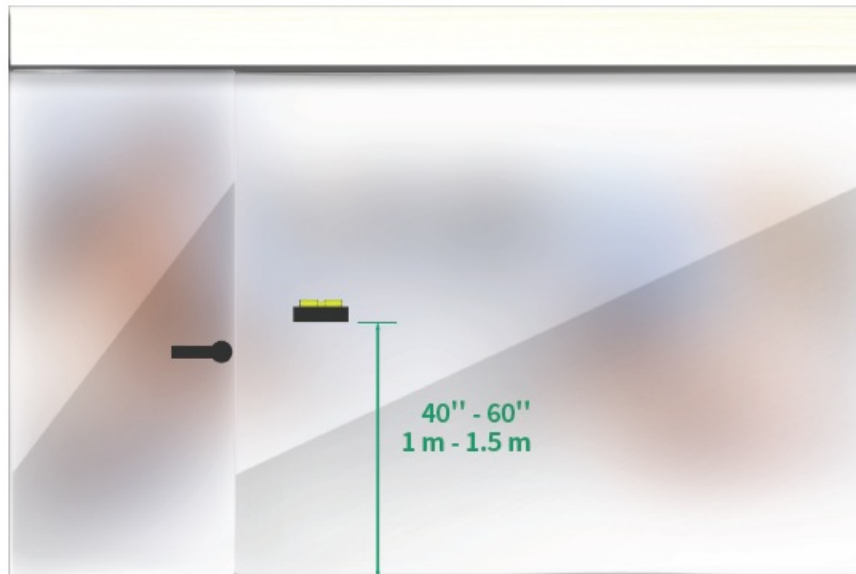
Glass Wall Mounting

1. Clean the glass surface before gluing the 3M tape.
2. Press the 3M tape firmly, ensuring it is securely stuck to the glass.

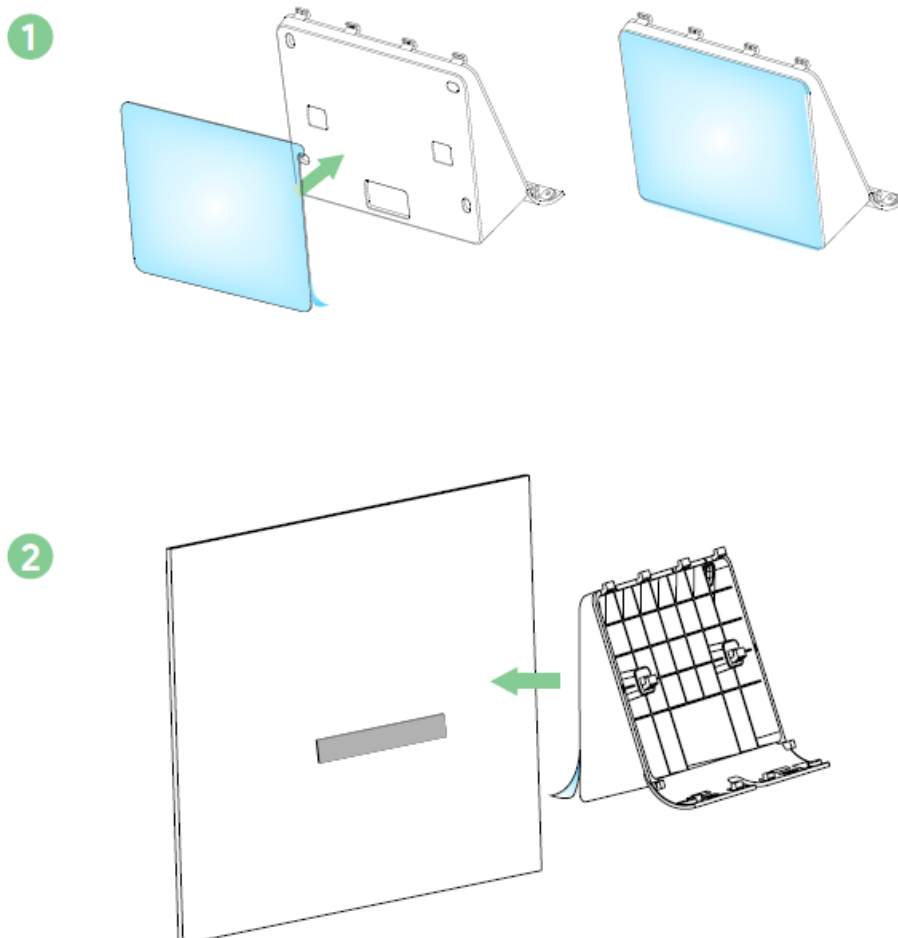
3. Wait 1 hour after gluing the mounting bracket and install the RoomPanel Plus next.

Glue the locating sticker to locate the installation position

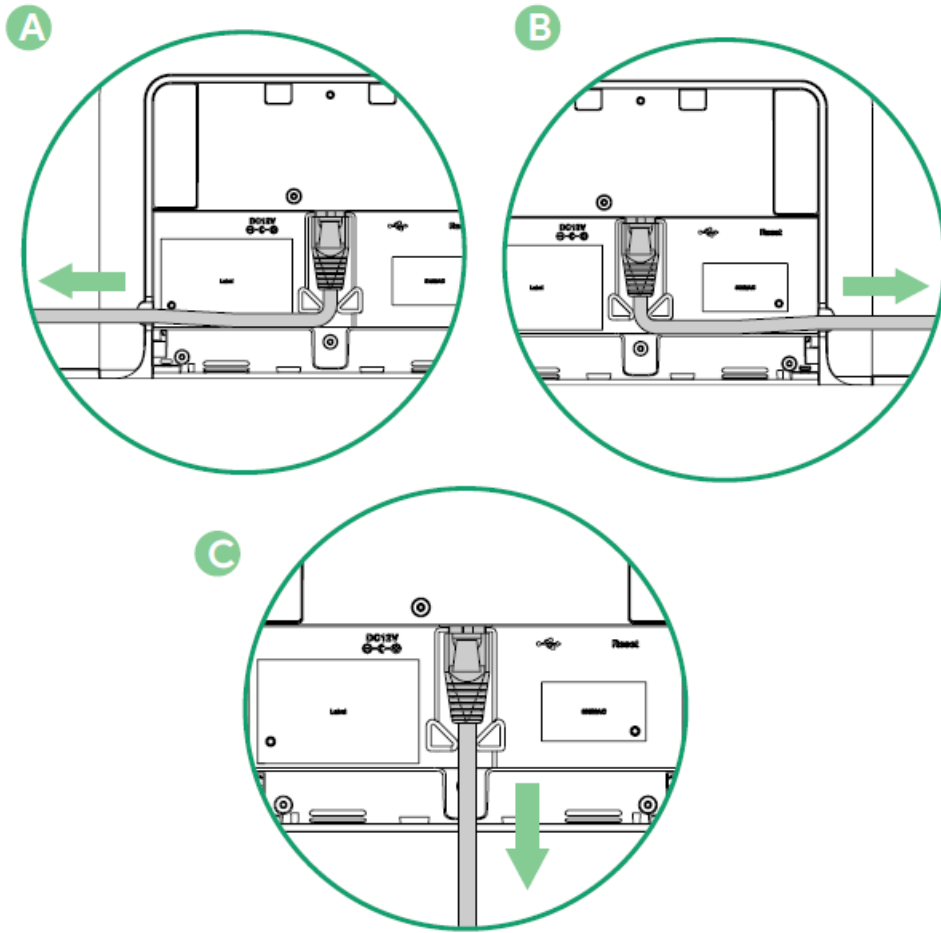
- Take 20° bracket as an example for reference.



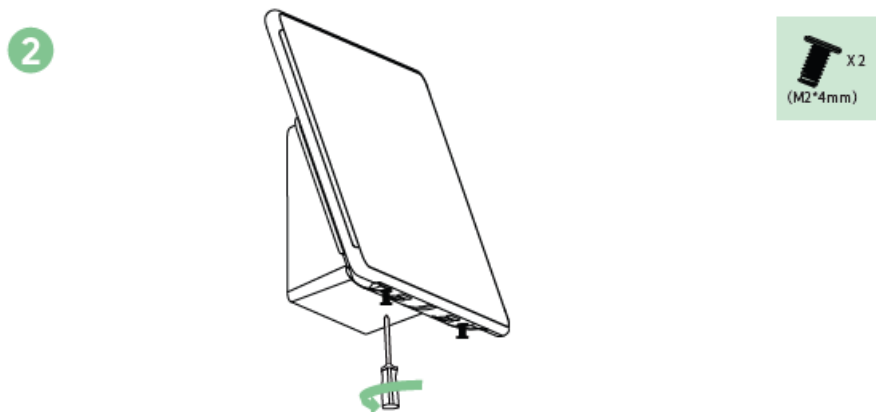
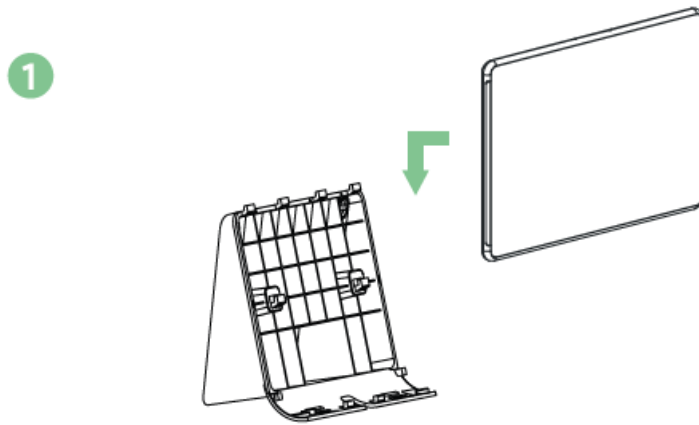
Glue the bracket to the glass



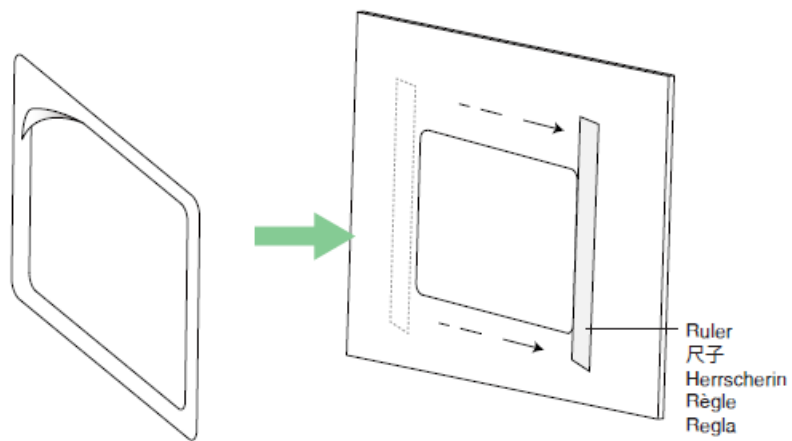
Connect the ethernet cable



Place the RoomPanel Plus onto the bracket. When you hear a click, tighten the screw to fasten the device in place



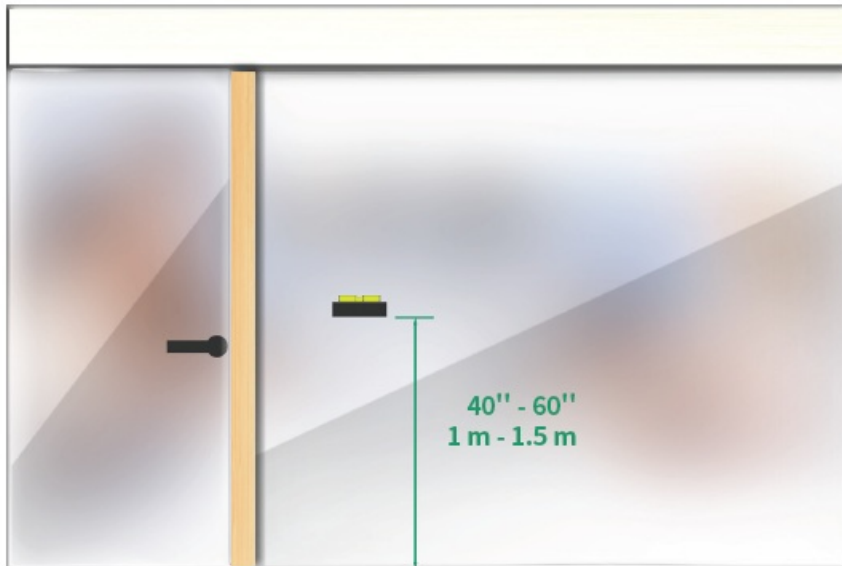
Glue the glass sticker on the back of the glass to maintain the aesthetics (Optional)



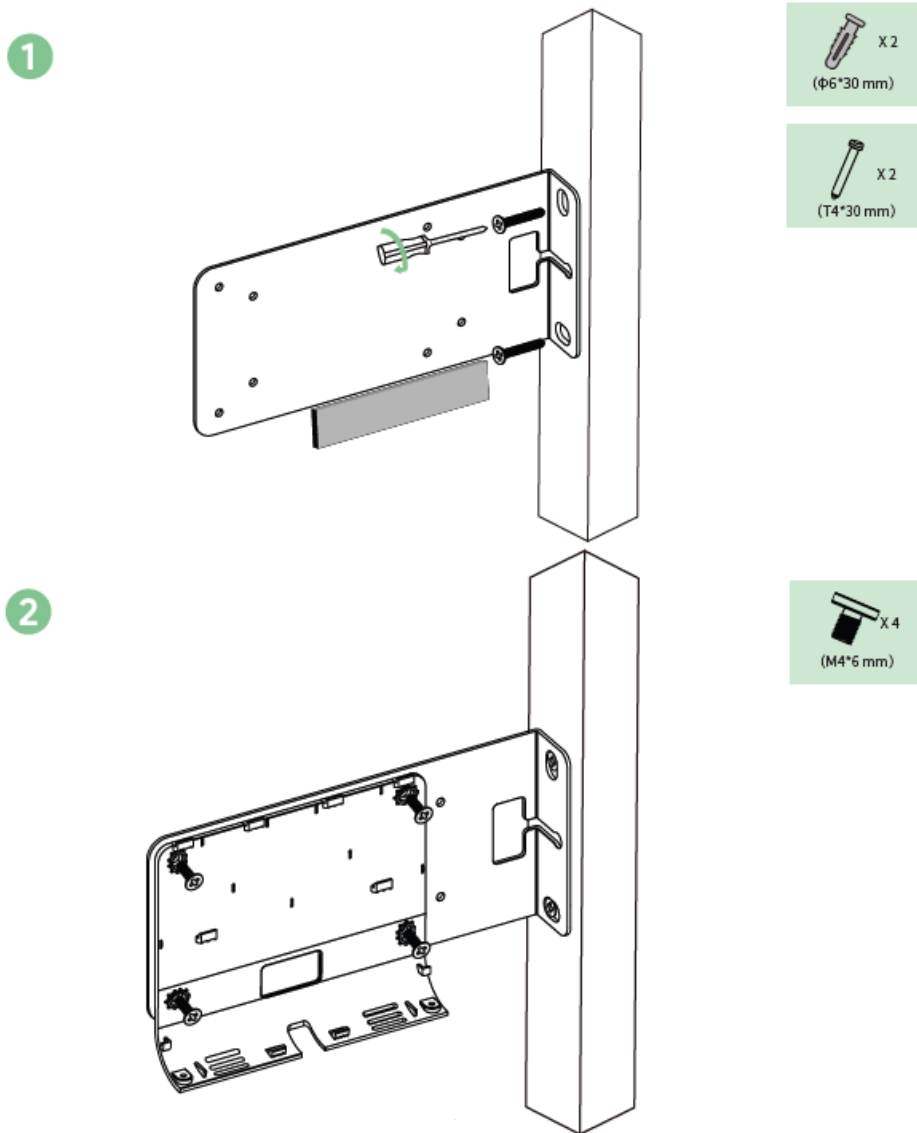
Mullion Mounting

1. Glue the locating sticker to locate the installation position

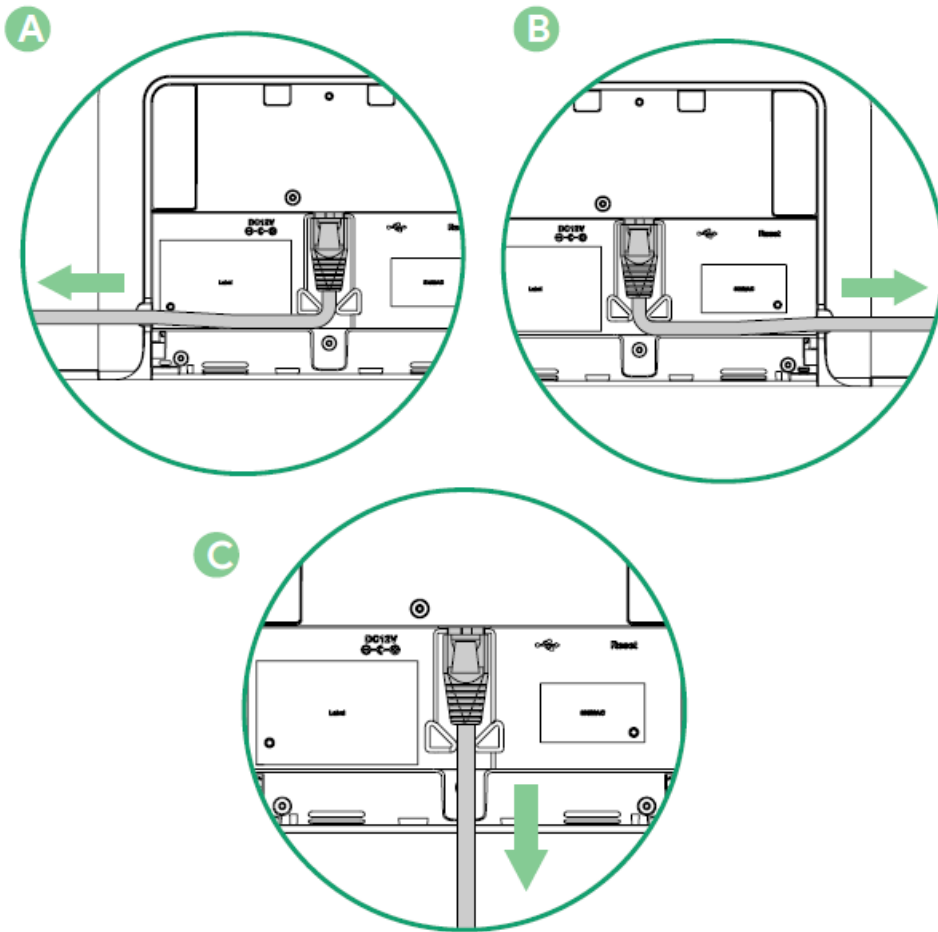
- Take 0° bracket as an example for reference.



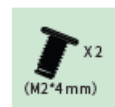
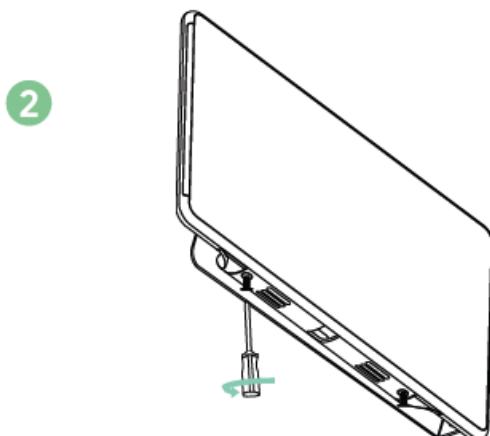
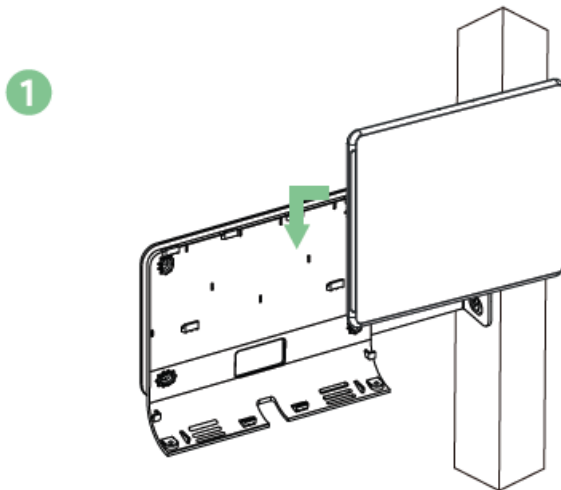
2. Install the metal bracket and attach the bracket



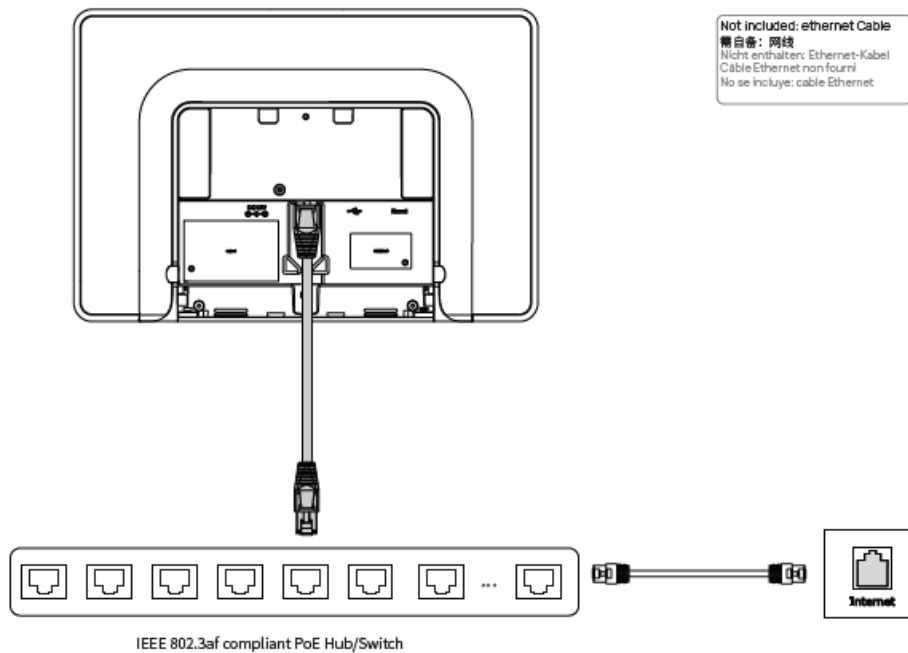
3. Connect the ethernet cable



4. Place the RoomPanel Plus onto the bracket. When you hear a click, tighten the screw to fasten the device in place RoomPanel Plus



Connection



- The device supports the wireless network.
- You can also connect the power cable and network cable to supply power and internet.

Regulatory Notices

Operating Ambient Temperatures

- **Operating temperature:** +14 to 113°F (-10 to 45°C)
- **Relative humidity:** 5% to 90%, non-condensing
- **Storage temperature:** -22 to +160°F (-30 to +70°C)

Warranty

- Our product warranty is limited only to the unit itself when used normally following the operating instructions and the system environment.
- We are not liable for damage or loss resulting from the use of this product or for any claim from a third party.
- We are not liable for problems with the Yealink device arising from the use of this product; we are not liable for financial damages, lost profits, claims from third parties, etc., arising from the use of this product.

DC symbol

-  is the DC voltage symbol.

Restriction of Hazardous Substances Directive (RoHS)

- This device complies with the requirements of the EU RoHS Directive. Statements of compliance can be obtained by contacting support@yealink.com.

Safety Instructions

- Save these instructions. Read these safety instructions before use! The following basic safety precautions should always be followed to reduce the risk of fire, electrical shock, and other personal injury.

General Requirements

- Before you install and use the device, read the safety instructions carefully and observe the situation during operation.
- During the process of storage, transportation, and operation, please always keep the device dry and clean.
- During the process of storage, transportation, and operation, please avoid collision and crash of the device.
- Please attempt not to dismantle the device by yourself. In case of any discrepancy, please contact the appointed maintenance centre for repair.
- Without prior written consent, no organization or individual is permitted to make any change to the structure or the safety design of the device. Yealink is under no circumstance liable to consequences or legal issues caused by such changes.
- Please refer to the relevant laws and statutes while using the device. The legal rights of others should be respected as well.

Environmental Requirements

- Place the device at a well-ventilated place. Do not expose the device to direct sunlight.
- Keep the device dry and free of dust.
- Place the device on a stable and level platform.
- Please place no heavy objects on the device in case of damage and deformation caused by the heavy load.
- Keep at least 10 cm between the device and the closest object for heat dissipation.
- Do not place the device on or near any inflammable or fire-vulnerable object, such as rubber-made materials.
- Keep the device away from any heat source or bare fire, such as a candle or an electric heater.
- Keep the device away from any household appliance with a strong magnetic field or electromagnetic field, such as a microwave oven or a refrigerator.

Operating Requirements

- Do not let a child operate the device without guidance.
- Do not let a child play with the device or any accessory in case of accidental swallowing.
- Please use the accessories provided or authorized by the manufacturer only.
- The power supply of the device shall meet the requirements of the input voltage of the device. Please use the provided surge protection power socket only.
- Before plugging or unplugging any cable, make sure that your hands are completely dry.
- Do not spill liquid of any kind on the product or use the equipment near water, for example, near a bathtub, washbowl, kitchen sink, wet basement or swimming pool.

- Do not tread on, pull, or over-bend any cable in case of malfunction of the device.
- During a thunderstorm, stop using the device and disconnect it from the power supply. Unplug the power plug and the Asymmetric Digital Subscriber Line (ADSL) twisted pair (the radio frequency cable) to avoid a lightning strike.
- If the device is left unused for a rather long time, disconnect it from the power supply and unplug the power plug.
- When there is smoke emitted from the device, or some abnormal noise or smell, disconnect the device from the power supply, and unplug the power plug immediately. Contact the specified maintenance centre for repair.
- Do not insert any object into equipment slots that is not part of the product or auxiliary product.
- Before connecting a cable, connect the grounding cable of the device first. Do not disconnect the grounding cable until you disconnect all other cables.

Cleaning Requirements

- Before cleaning the device, stop using it and disconnect it from the power supply.
- Use a piece of soft, dry and anti-static cloth to clean the device.
- Keep the power plug clean and dry. Using a dirty or wet power plug may lead to electric shock or other perils.

ENVIRONMENTAL RECYCLING

- Never dispose of the device with domestic waste Ask your Town Council about how to dispose of it in an environmentally friendly way.
- The cardboard box, plastic packaging and player components may be recycled following prevailing recycling regulations in your country.

Always adhere to prevailing regulations

- Those who fail to do so may be fined or prosecuted following the law.
- The crossed-out garbage can that appears on the device means that when it has reached the end of its useful life, it should be taken to a special waste disposal centre and treated separately from general urban waste.

Troubleshooting

The unit cannot supply power to the Yealink device. There is a bad connection with the plug.

1. Clean the plug with a dry cloth.
2. Connect it to another wall outlet.

The usage environment is out of the operating temperature range.

1. Use in the operating temperature range.

The cable between the unit and the Yealink device is connected incorrectly.

1. Connect the cable correctly.

You cannot connect the cable properly.

1. You may have connected the wrong Yealink device.
2. Use the correct power supply.

Some dust, etc., may be in the port.

1. Clean the port.
2. Contact your dealer or authorized service facility for any further questions.

Contact Information

- YEALINK NETWORK TECHNOLOGY CO., LTD. No.666 Hu'an Road, High Tech Park, Huli District, Xiamen, Fujian, P.R.C
- YEALINK (EUROPE) NETWORK TECHNOLOGY B.V. Strawinskyiaan 3127, Atrium Building, 8th floor, 1077ZX Amsterdam, The Netherlands
- YEALINK (USA) NETWORK TECHNOLOGY CO., LTD. 999 Peachtree Street Suite 2300, Fulton, Atlanta, GA, 30309, USA Made in China

About Yealink

- Yealink (Stock Code: 300628) is a global-leading provider of Unified Communication & Collaboration Solutions specialized in video conferencing, voice communications, and collaboration, dedicated to helping every person and organization embrace the power of "Easy Collaboration, High Productivity".
- With best-in-class quality, innovative technology, and user-friendly experiences, Yealink is one of the best providers in more than 140 countries and regions, ranks
- No.1 in the global market share of IP Phone, and is the Top 5 leader in the video conferencing market (Frost & Sullivan, 2021).

Technical Support

- Visit Yealink WIKI (<http://support.yealink.com/>) for firmware downloads, product documents, FAQs, and more. For better service, we sincerely recommend you to use
- Yealink Ticketing system (<https://ticket.yealink.com>) to submit all your technical issues.
- YEALINK(XIAMEN) NETWORK TECHNOLOGY CO., LTD.
- **Web:** www.yealink.com.
- Copyright©2023 YEALINK(XIAMEN) NETWORK
- TECHNOLOGY CO., LTD.All rights reserved.

FCC

Any Changes or modifications not expressly approved by the party responsible for compliance could void the user's authority to operate the equipment.

This device complies with part 15 of the FCC Rules.

Operation is subject to the following two conditions:

1. This device may not cause harmful interference, and
2. this device must accept any interference received, including interference that may cause undesired operation.

Note: This equipment has been tested and found to comply with the limits for a Class B digital device, under part 15 of the FCC Rules. These limits are designed to provide reasonable protection against harmful interference in a residential installation. This equipment generates, uses and can radiate radio frequency energy and, if not installed and used by the instructions, may cause harmful interference to radio communications. However, there is no guarantee that interference will not occur in a particular installation. If this equipment does cause harmful interference to radio or television reception, which can be determined by turning the equipment off and on, the user is encouraged to try to correct the interference by one or more of the following measures:

- Reorient or relocate the receiving antenna.
- Increase the separation between the equipment and the receiver.
- Connect the equipment to an outlet on a circuit different from that to which the receiver is connected.
- Consult the dealer or an experienced radio/TV technician for help.

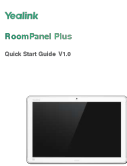
This equipment complies with FCC radiation exposure limits for an uncontrolled environment. This equipment should be installed and operated with a minimum distance of 20cm between the radiator& your body. This transmitter must not be co-located or operating with any other antenna or transmitter. This device complies with the Innovation, Science, and Economic Development Canada licence-exempt RSS standard(s).

Operation is subject to the following two conditions:

1. this device may not cause interference, and
2. this device must accept any interference, including interference that may cause undesired operation.

The device is compliant with RF exposure guidelines, users can obtain Canadian information on RF exposure and compliance. The minimum distance from body to use the device is 20cm. 5GHz band(W52, W53): Indoor use only Bande 5 GHz (W52, W53): utilisation intérieure uniquement

Documents / Resources

	<p>Yealink RoomPanel Plus Meeting Room Scheduling Touch Panel [pdf] User Manual RoomPanel Plus Meeting Room Scheduling Touch Panel, RoomPanel Plus, Meeting Room Scheduling Touch Panel, Room Scheduling Touch Panel, Scheduling Touch Panel, Touch Panel, Panel</p>
-------------------------------------------------------------------------------------	------------------------------------------------------------------------------------------------------------------------------------------------------------------------------------------------------------------------------------------------------------------------------------------

References

- [Y Yealink Support](#)
- [Y Yealink | UC & C Terminal, Video Collaboration, Conference Phone, IP Phone, Headsets & Video Conferencing](#)
- [Y Yealink Ticket](#)
- [User Manual](#)

[Manuals+](#), [Privacy Policy](#)

This website is an independent publication and is neither affiliated with nor endorsed by any of the trademark owners. The "Bluetooth®" word mark and logos are registered trademarks owned by Bluetooth SIG, Inc. The "Wi-Fi®" word mark and logos are registered trademarks owned by the Wi-Fi Alliance. Any use of these marks on this website does not imply any affiliation with or endorsement.